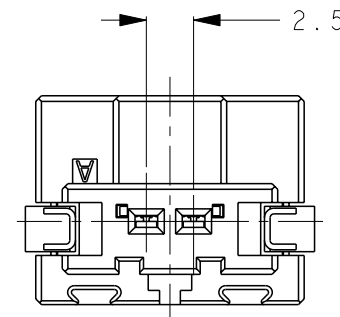
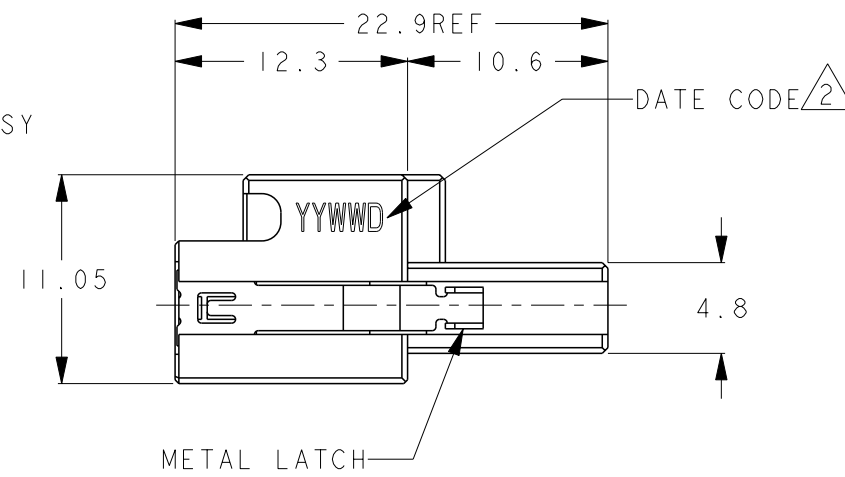
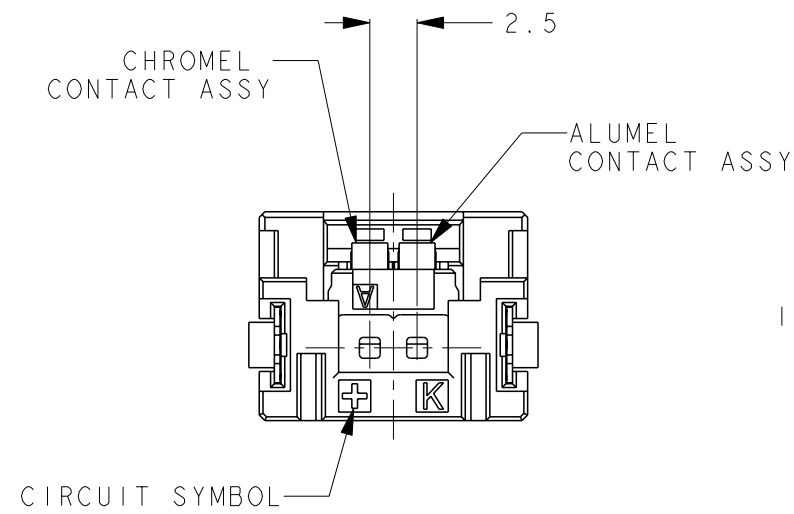
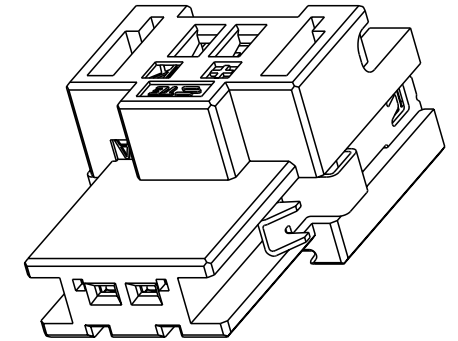
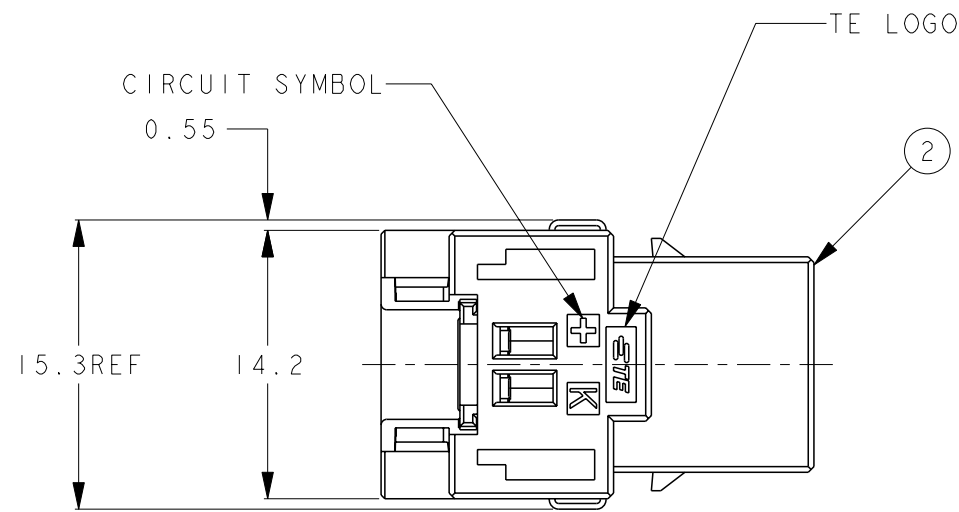


REVISIONS

P	LTR	DESCRIPTION	DATE	DWN	APVD
	1	PROPOSED	29FEB2016	K.T	E.T

REC ASSEMBLY



1 MATERIAL:
 CONTACT ASSY: STAINLESS STEEL
 CHROMEL / ALUMEL
 METAL LATCH: STAINLESS STEEL
 HOUSING: THERMOPLASTIC (UL94V-0)
 TRAY: POLYSTYRENE

2 DATE CODE
 YY: YEAR
 WW: WEEK
 D: DAY

1-2299959-1	90	REC ASSY(SHEET 1)	2
	1	TRAY(SEE SHEET 2 OF 2)	1
Q'TY		DESCRIPTION	NO

THIS DRAWING IS A CONTROLLED DOCUMENT.		DWN	26FEB2016	TE TE Connectivity
		CHK	26FEB2016	
		APVD	26FEB2016	
DIMENSIONS: mm		TOLERANCES UNLESS OTHERWISE SPECIFIED: ± 0.3		NAME
		0-PLC ± 1-PLC ± 2-PLC ± 3-PLC ± 4-PLC ± ANGLES ±5°		TRAY PACKAGE.
		MATERIAL		FINISH
		PRODUCT SPEC 108-140100		SIZE
		APPLICATION SPEC -		CAGE CODE
		WEIGHT -		DRAWING NO
		CUSTOMER DRAWING		RESTRICTED TO
		SCALE 5:2		A3 - C-2299959 SHEET 1 OF 2 REV 1

THIS DRAWING IS UNPUBLISHED.

RELEASED FOR PUBLICATION

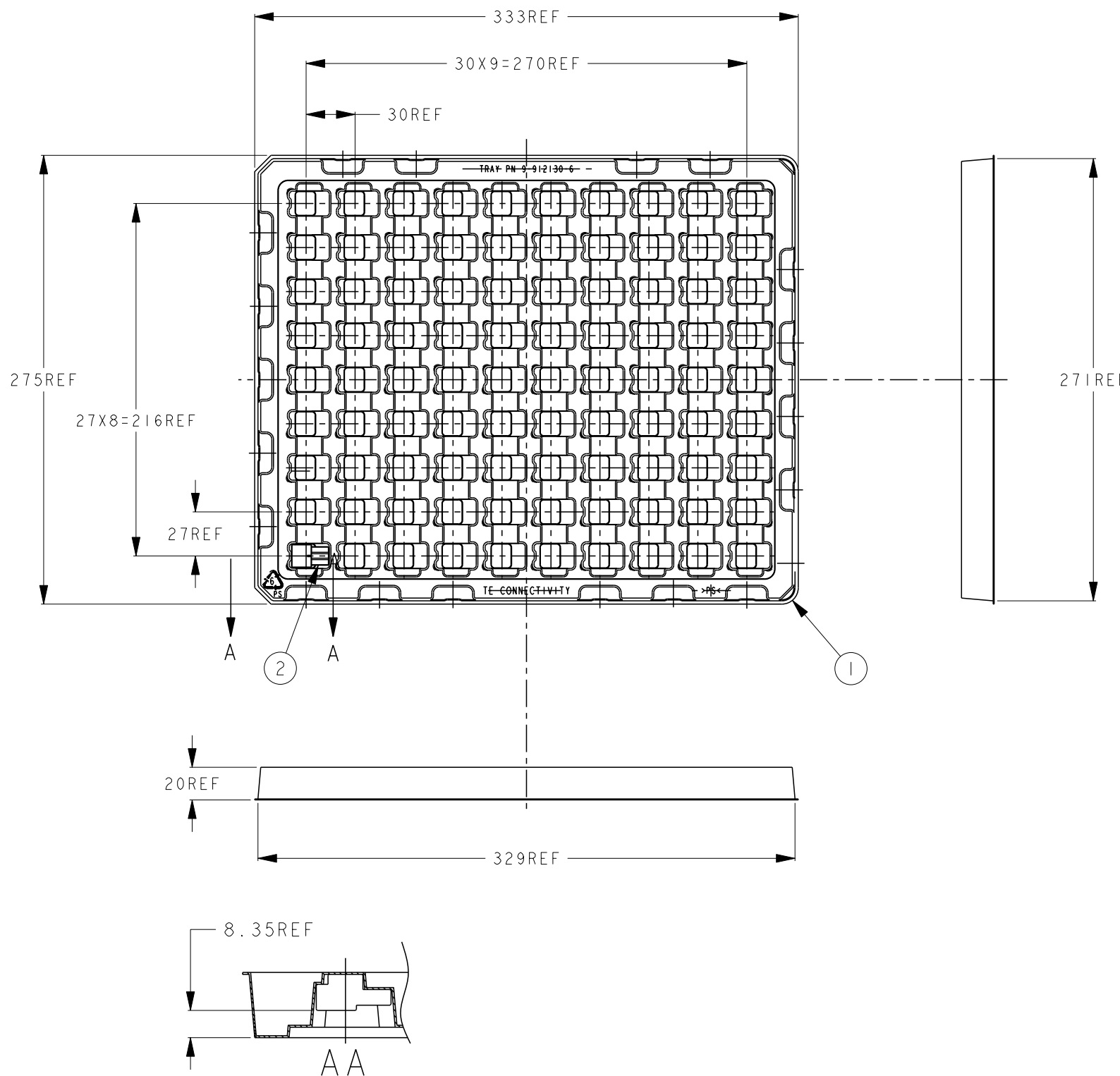
20

© COPYRIGHT 20 BY -

ALL RIGHTS RESERVED.

REVISIONS

P	LTR	DESCRIPTION	DATE	DWN	APVD
		SEE SHEET 1			



1-2299959-1: AS SHOWN

THIS DRAWING IS A CONTROLLED DOCUMENT.

DIMENSIONS: mm	TOLERANCES UNLESS OTHERWISE SPECIFIED: ± 0.5
	0-PLC ±
	1-PLC ±
	2-PLC ±
	3-PLC ±
	4-PLC ±
	ANGLES ±5°
MATERIAL 	FINISH

DWN
CHK
APVD
PRODUCT SPEC
APPLICATION SPEC
WEIGHT
CUSTOMER DRAWING

TE TE Connectivity

NAME
TRAY PACKAGE.
TC CONN. REC ASSEMBLY. K TYPE.

SIZE A3	CAGE CODE -	DRAWING NO C-2299959	RESTRICTED TO -
SCALE NTS		SHEET 2 OF 2	REV 1